

SK40 SERIES
40 Watts
KEY FEATURES

- Power Module for PCB Mountable
- Six-sided Continuous Shield
- High Efficiency
- Standard Package
- 2 Year Product Warranty

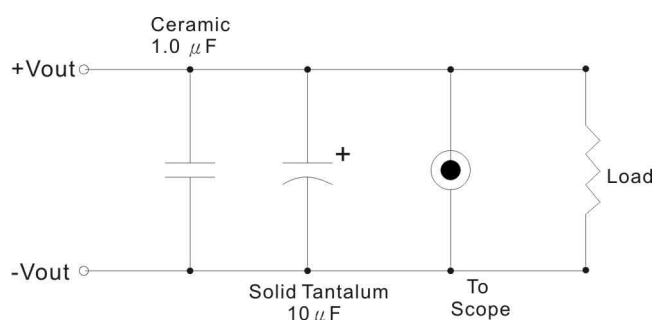

ELECTRICAL SPECIFICATIONS

Model No.	SK40-48-2.5S	SK40-48-3.3S	SK40-48-5S	SK40-48-12S	SK40-48-15S	SK40-48-24S
Max. Output Wattage (W)	20W	26.4W	40W	40W	40W	40W
Input Voltage (V.DC.)	48V (36-75V)	48V (36-75V)	48V (36-75V)	48V (36-75V)	48V (36-75V)	48V (36-75V)
Output Voltage (V.DC.)	2.5V / 8000mA	3.3V / 8000mA	5V / 8000mA	12V / 3333mA	15V / 2666mA	24V / 1666mA
Efficiency (%)	82%	84%	86%	83%	83%	84%

Model No. (Single Output)	SK40-48-2.5S	SK40-48-3.3S	SK40-48-5S	SK40-48-12S	SK40-48-15S	SK40-48-24S	
Max output wattage (W)	20W	26.4W	40W	40W	40W	40W	
Input	Input Filter π type						
Output	Voltage (V.DC.)	2.5	3.3	5	12	15	24
	Voltage Accuracy	$\pm 2\%$					
	Current (mA) max	8000	8000	8000	3333	2666	1666
	Line Regulation (LL-HL) (typ.)	$\pm 0.5\%$					
	Load Regulation (10-100%) (typ.)	$\pm 1\%$					
	Ripple (Vp-p)	50 mV max.			$\pm 1\%$ max.		
	Noise (Vp-p)	100 mV max.			$\pm 1\%$ max.		
	Trim	$\pm 10\%$					
Protection	Switching Frequency	400KHz					
	Over Power Protection	Works over 120% of rating and recovers automatically.					
	Over Voltage Protection	Zener diode clamp					
Isolation	Short Circuit Protection	Hiccup mode, auto-recovery					
	Voltage	1600 VDC.					
	Resistance	10^8 ohms					
Environment	Capacitance	1000 pF					
	Operating Temperature	-25°C...+70°C (with derating) (40°C full load with 18 CFM Air Flow)					
	Storage Temperature	-55°C...+105°C					
	Case Temperature	+100°C max.					
	Temperature Coefficient	$\pm 0.02\%$ Per°C					
	Humidity	95% RH					
	MTBF	>550,000 h @ 25°C (MIL-HDBK-217F)					
Physical	Dimension (L x W x H)	2.0 x 1.60 x 0.47 Inches (50.80 x 40.6 x 11.90 mm) Tolerance ± 0.5 mm					
	Case Material	Nickel-Coated Copper with Non-Conductive Base, Six-side shielded.					
	Weight	58 g					
	Cooling Method	Free-air convection					

All specifications valid at nominal input voltage, full load and +25°C after warm-up time unless otherwise stated.

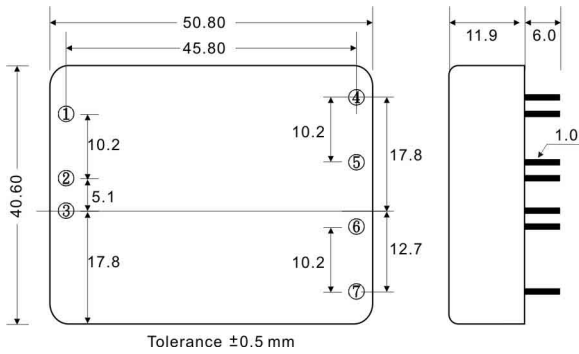
OUTPUT NOISE

 The output noise is measured with 10 μ F tantalum capacitor and 1 μ F ceramic capacitor across output.


SK40 SERIES

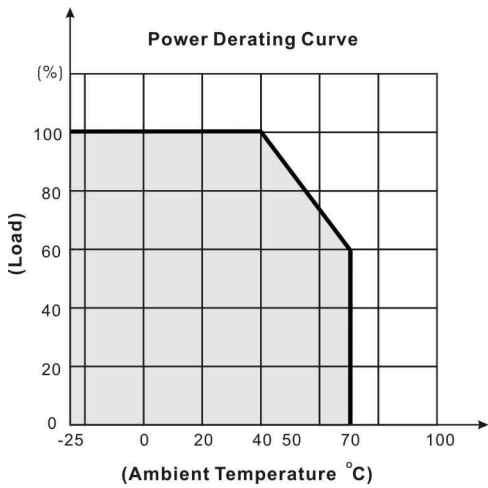
40 Watts

MECHANICAL DIMENSION (Top View)

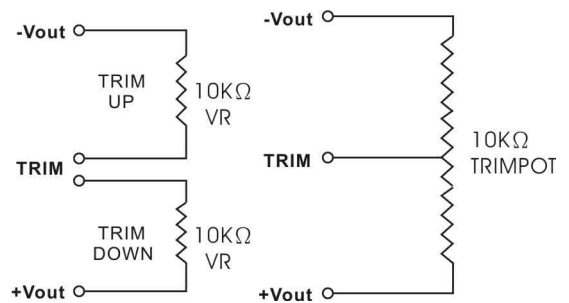


PIN#	Single
1	ON / OFF
2	-DC IN
3	+DC IN
4	TRIM
5	-DC OUT
6	+DC OUT

DERATING

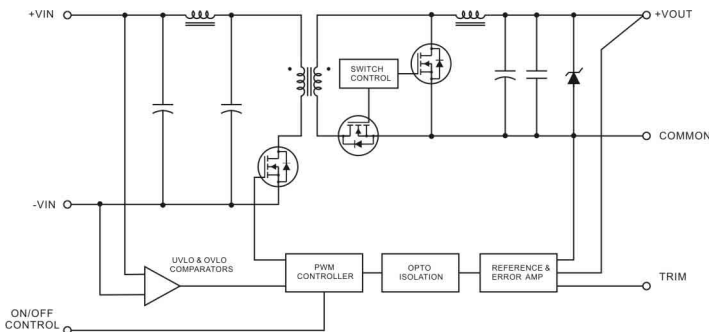


REMOTE ON/OFF CONTROL



BLOCK DIAGRAM

Output Voltage (V.DC) : 1.8V, 2.5V, 3.3V, 5V



Output Voltage (V.DC) : 12V, 15V, 24V

