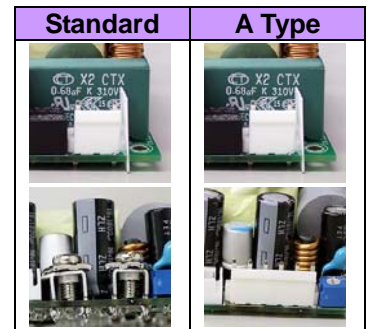


KEY FEATURES

- Enclosed Medical Switching Power Supply
- 4000VAC Input to Output 2MOPP Insulation
- High Efficiency up to 93%
- With P.F.C. Function >0.9
- <0.5W No Load Input Power
- EMI for Both Class I (with FG) and Class II (without FG) Configuration
- Suitable for BF Application with Appropriate System Consideration
- UL / IEC / EN 60601 3.1st Edition & UL / IEC / EN 60950 AM2 Safety Approvals
- 3-Year Product Warranty



ELECTRICAL SPECIFICATIONS

All specifications valid at normal input voltage, full load and +25°C after warm-up time unless otherwise stated.

Model No.	MQF240E-12S	MQF240E-24S	MQF240E-48S	
Max Output Wattage (with 10CFM FAN) (W)	240 W			
Input	Voltage (Note 4)	90-264 VAC		
	Frequency (Hz)	47-63 Hz		
	Current (Full load)	< 3.0 A max. (115 VAC) / < 1.5 A max. (230 VAC)		
	Inrush Current (<2ms)	< 45 A max. (115 VAC) / < 90 A max. (230 VAC)		
	Leakage Current	< 0.1mA / 264 VAC (Touch Current)		
	Power Factor	PF>0.9 at Full Load		
Output	Voltage (V.DC.)	12V	24V	48V
	Voltage Adj Range (V.DC.)	±4% Output Voltage		
	Voltage Accuracy	±2%		
	Current max	20	10	5
	Line Regulation	±1%		
	Load Regulation (0-100%)	±1%		
	Minimum Load	0%		
	Maximum Capacitive Load	8000µF	3000µF	470µF
	Ripple & Noise max. (Note 1)	1% Vout		
	Efficiency (at 230VAC) (Note 6)	92%	92.5%	93%
Hold-up Time (at 115 VAC) (Note 2)	10 ms min.			
Protection	Over Power Protection	Auto recovery, Hiccup mode		
	Over Voltage Protection	Zener diode clamp		
	Overt Temperature Protection	Auto recovery		
	Short Circuit Protection	Auto recovery, Hiccup mode		
Isolation	Input-Output	4000VAC or 5656VDC		
	Input-FG	2000VAC or 2828VDC		
	Output-FG	1500VAC or 2121VDC		
Environment	Operating Temperature	-30°C...+70°C (with derating)		
	Storage Temperature	-30°C...+85°C		
	Temperature Coefficient	±0.05%/°C		
	Humidity	20~90% RH		
	MTBF	>250,000 h @ 25°C (MIL-HDBK-217F, Notice 1)		
Physical	Vibration	10~500Hz, 2G 10min./1cycle, 60min. each along X, Y, Z axes.		
	Dimension (L x W x H)	4.1 x 2.44 x 1.95 Inches (104 x 62.0 x 49.5 mm) Tolerance ±0.5 mm		
	Weight	Pending		
Cooling Method	Free convection			

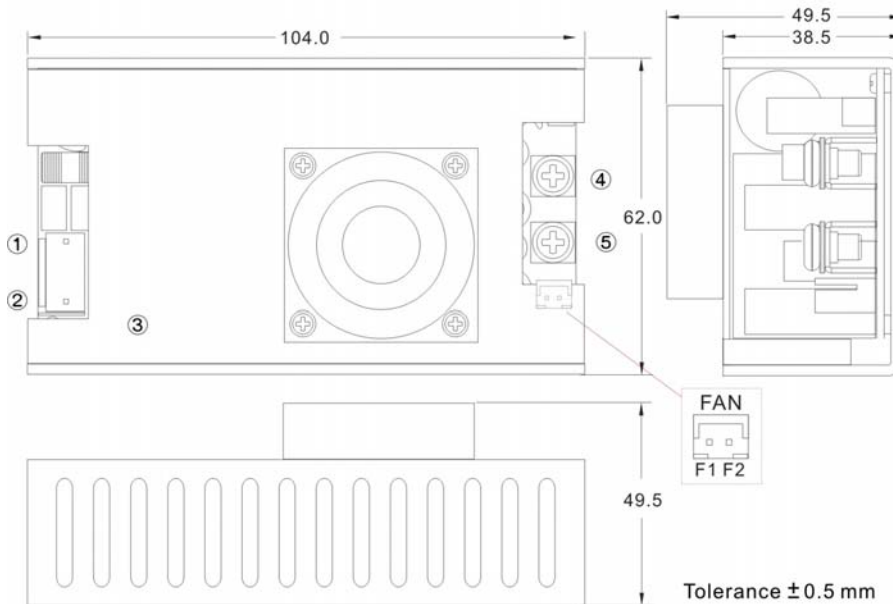
ELECTRICAL SPECIFICATIONS

All specifications valid at normal input voltage, full load and +25°C after warm-up time unless otherwise stated.

Model No.		MQF240E-12S	MQF240E-24S	MQF240E-48S
Safety	Approval	UL / IEC / EN 60601 3.1 rd Edition & UL / IEC / EN 60950 AM2		
EMC	Conducted EMI (Note 7)	EN55011 Conducted & Radiated Class B		
	Radiated EMI (Note 7)	EN55011 Class I class B / Class II class A (Pending)		
	ESD	EN61000-4-2 air ± 8kV , Contact ± 4Kv (Pending)		
	Radiated Immunity	EN61000-4-3 10V/m (Pending)		
	Fast Transient	EN61000-4-4 ± 2kV (Pending)		
	Surge	EN61000-4-5 ±1kV (Pending)		
	Conducted Immunity	EN61000-4-6 10Vrms (Pending)		
	PFMF	EN61000-4-8 30A/m (Pending)		
	Dips	EN61000-4-11 30% 10ms (Pending)		
	Interruption	EN61000-4-11 >95% 5000ms (Pending)		

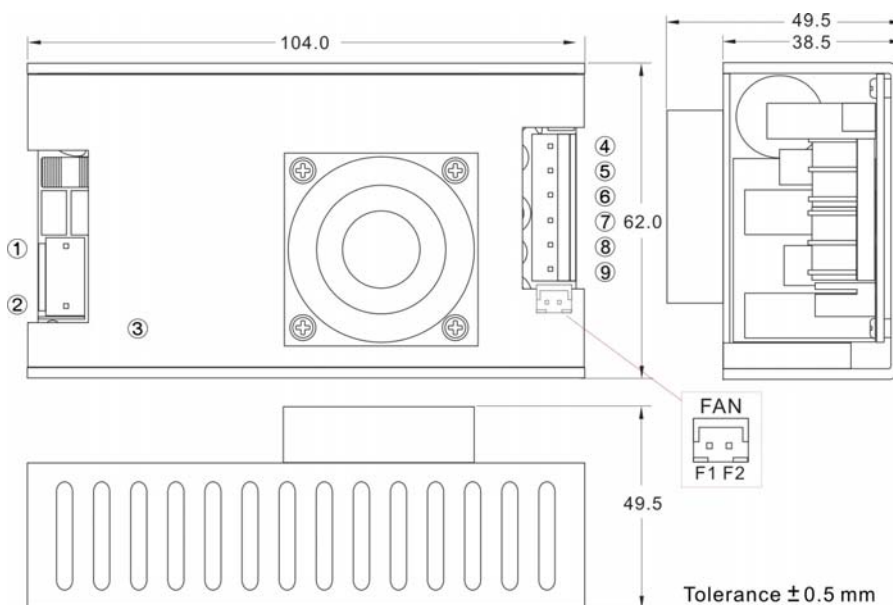
NOTE

- Ripple & Noise are measured at 20MHz of bandwidth with 0.1uF & 47uF parallel capacitor.
- Hold-up Time measured at 90% Vout.
- Main Vout must be >50% Load, 12V (Aux) / 0.5A.
- Please check the derating curve for more details.
- Strongly recommend to conduct this test with DC Voltage. If customer wishes to test with AC Voltage, please disconnect all Y-Capacitors within Arch power supply.
- After 30 minutes of burn-in
- Please secure the power supply unit to your metal case by using the four screw holes in the corners for either Class I or Class II equipment
- This product is not designed for use in critical life support systems, equipment used in hazardous environment, nuclear control systems or other such applications which necessitate specific safety and regulatory standards other the ones listed in this datasheet.**

MECHANICAL DIMENSION (Top View)
Standard


PIN#	Single
1	AC IN (N)
2	AC IN (L)
3	PF / FG
4	+DC OUT
5	-DC OUT

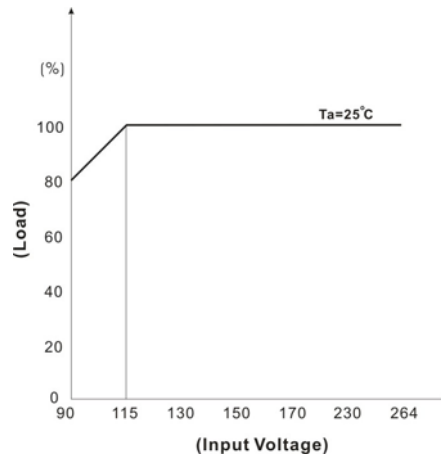
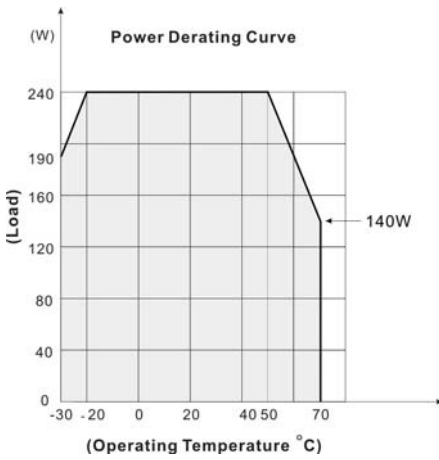
Connector Pin (FAN)	
PIN#	Single
F1	+AUX OUT
F2	-AUX OUT

A Type


PIN#	Single
1	AC IN (N)
2	AC IN (L)
3	PF / FG
4~6	+DC OUT
7~9	-DC OUT

Connector Pin (FAN)	
PIN#	Single
F1	+AUX OUT
F2	-AUX OUT

DERATING



BLOCK DIAGRAM

