

# EPU 1 1 SERIES

## 10W Wall Mount Switching Power Supplies.

### Description:

The EPU11 series of AC/DC switching mode power supplies provide 10 Watts of continuous output power. All supplies are UL 94V-0 min compliant, include a 2 prong plug-in mains connector for certain applications. All models meet FCC class B and are designed to comply and new CE requirements. All units are 100% burned in and tested.



### Features:

- Wide Input Voltage 90 to 264 VAC, 47 to 63 Hz
- 2 Prong Plug-In Mains Connector
- Output Voltage Available From 5VDC Thru 48VDC
- Optional Output Connector (See appendix)
- Single Output
- Energy Star 2.0, Efficiency level V
- Class II
- 1 year warranty

### Safety Approvals:



### Electrical Characteristics:

Sym.	Parameter	Test Conditions	Min.	Typ.	Max.	Unit
Vin	Input Voltage	Universal Input Voltage	100		240	VAC
		Operating Voltage	90		264	VAC
fin	Input Frequency		47		63	Hz
Po	Output Power Range	Vin=90 to 264VAC	0		10	W
Vo	Output Voltage Range		See rating chart			V
Io	Output Current Range		See rating chart			A
Iil	Input Current (Low Line)	Io=Full load, Vin=115VAC			0.3	A
Iih	Input Current (High Line)	Io=Full load, Vin=230VAC			0.2	A
Irl	Low Line Inrush Current	Io=Full load, 25°C, Cool start, Vin=115VAC		35	40	A
Irh	High Line Inrush Current	Io=Full load, 25°C, Cool start, Vin=230VAC		70	80	A
Eff	Efficiency	Io=Full Load, Vin=230VAC	71	76	85	%
REG-i	Line Regulation	Io=Full Load		0.5	1	%
REG-o	Load Regulation	Vin=230VAC		3	5	%
OVP	Over Voltage Protection		Nil			%
OCP	Over Current Protection	Nil But, Output protected to short circuit conditions				%
Ttr	Time of Transient Response	Io=Full Load to Half Load, Vin=100VAC			4	mS
Thold	Hold-Up Time	Io=Full Load, Vin=100VAC	5	10		mS
Ts	Start Up Time	Io=Full Load, Vin=100VAC		2	3	S
Vrn	Ripple & Noise (Peak to Peak)	Full Load, Vin=90VAC		0.5	1	%
Ilk	Safety Ground Leakage Current	Io=Full Load, Vin=240VAC		0.2	0.25	mA
Pno	No-Load Power Consumption	No load, Vin=240VAC		0.2	0.3	W
TC	Temperature Coefficient	All output	-0.04		0.04	%/°C

### Environmental :

Sym.	Parameter	Test Conditions	Min.	Typ.	Max.	Unit
Toper	Operating Temperature		0		70	°C
Tstg	Storage Temperature		-40		85	°C
Hr	Relative Humidity	No-Condensing	5		95	%
MTBF	Operating Temperature at 25°C, Calculated per MIL-HDBK-217F		0.1M			Hrs
Pd	Derate linearly from 100% load at 40°C to 50% load at 70°C					

# EPU 11 SERIES

## 10W Wall Mount Switching Power Supplies.

### Safety Specifications:

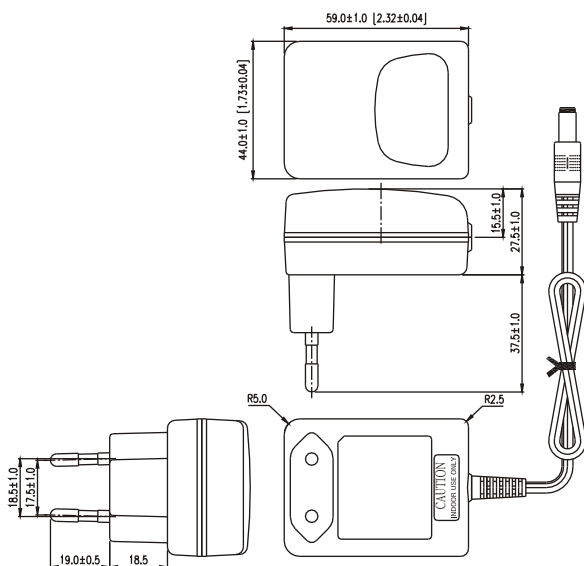
Sym.	Parameter	Test Conditions	Min.	Typ.	Max.	Unit
Vps	Dielectric Withstanding Voltage for Primary to secondary	Primary to secondary	4242			VDC
CISPR	EMI requirements for CISPR-22	Vin=220VAC	B			CLASS
FCC	EMI requirements for FCC PART-15	Vin=110VAC	B			CLASS

### Output Voltage And Current Rating Chart ( Single Output ) :

Model Number.	Output Voltage	Max. Output Current	Total Regulation ①	Max. Output Watts
EPU11-102	5 ~ 6 VDC	1.60 ~ 1.33 A	5%	8W
EPU11-103	6 ~ 8 VDC	1.33 ~ 1.00 A	5%	8W
EPU11-104	8 ~ 11 VDC	1.25 ~ 0.91 A	5%	10W
EPU11-105	11 ~ 13 VDC	0.91 ~ 0.77 A	5%	10W
EPU11-106	13 ~ 16 VDC	0.77 ~ 0.63 A	5%	10W
EPU11-107	16 ~ 21 VDC	0.63 ~ 0.48 A	3%	10W
EPU11-108	21 ~ 27 VDC	0.48 ~ 0.37 A	3%	10W
EPU11-109	27 ~ 33 VDC	0.37 ~ 0.30 A	3%	10W
EPU11-110	33 ~ 40 VDC	0.30 ~ 0.25 A	3%	10W
EPU11-111	40 ~ 48 VDC	0.25 ~ 0.20 A	3%	10W

- ① The total regulation on model 102~105 is required to use AWG#20 / 4FT output cable.  
 The total regulation on model 106~110 is required to use AWG#24 / 4FT output cable.  
 The regulation and efficiency will be changed by modified output cable.

### Mechanical Specifications: (European Type)



#### Note:

1. Dimensions are shown in mm.
2. Weight: 90gs approx.
3. Optional output connector: See page Appendix.