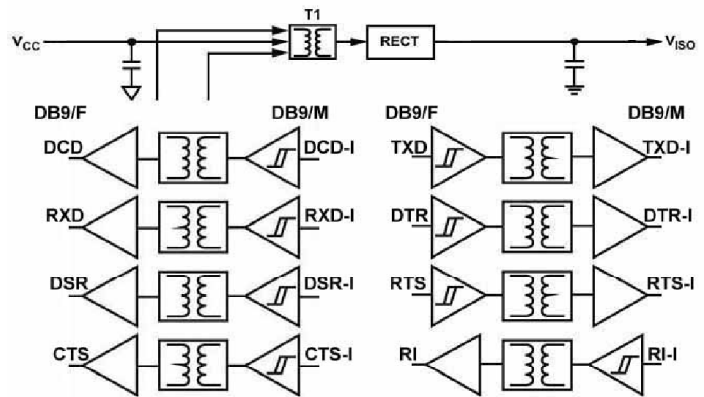


# ASM300-I ( RS-232 Isolated Line Booster )



## Features & Specification:

- USB to RS-232 Converter with Isolated DC-to-DC converter
- Meets EIA/TIA-232E specification. Fully compliant with RS-232 Spec.
- ESD protection on Tout pins (+8KV: contact discharge +15KV: air gap discharge)
- 5V Power required. Line extender 45 meter.
- Standard RS-232 DCE (DB9-F) to DTE (DB9-M) Interface
- With DB-9 / F & DB-9 / M Connectors
- Easy to install , Plug & Play
- Working type: RS-232/F (DCE) =>TTL (Booster) =>RS-232/M (DTE)
- With RED/GREEN color LED appeared power / TXD / RXD
- Easy cheek data transfer & receiver
- Fit display of RS-232 working
- RS-232 DTE connector : DB9 - M , RS-232 DCE connector : DB9 - F

## RS-232 DB-9 / DB25 Pin assignment:

Signal Name / Mode	DB - 9F - DCE	DB - 9M - DTE
FG (Frame Ground)	FG	FG-I
CD (Carrier Detect)	1-DCD	1-DCD-I
RD (Receive Data)	2-RXD	2-RXD-I
TD (Transmit Data)	3-TXD	3-TXD-I
DTR (Data Terminal Ready)	4-DTR	4-DTR-I
SG (Signal Ground)	5-Host SG	5-Device SG-I
DSR (Data Set Ready)	6-DSR	6-DSR-I
RTS (Request To Send)	7-RTS	7-RTS-I
CTS (Clear To Send)	8-CTS	8-CTS-I