

KwikDraw-B monitor and keyboard

1U KVM switch with 15", 17" or 19" monitor, industrial keyboard and touchpad, available with 1 port, 8 and 16 port KVM.



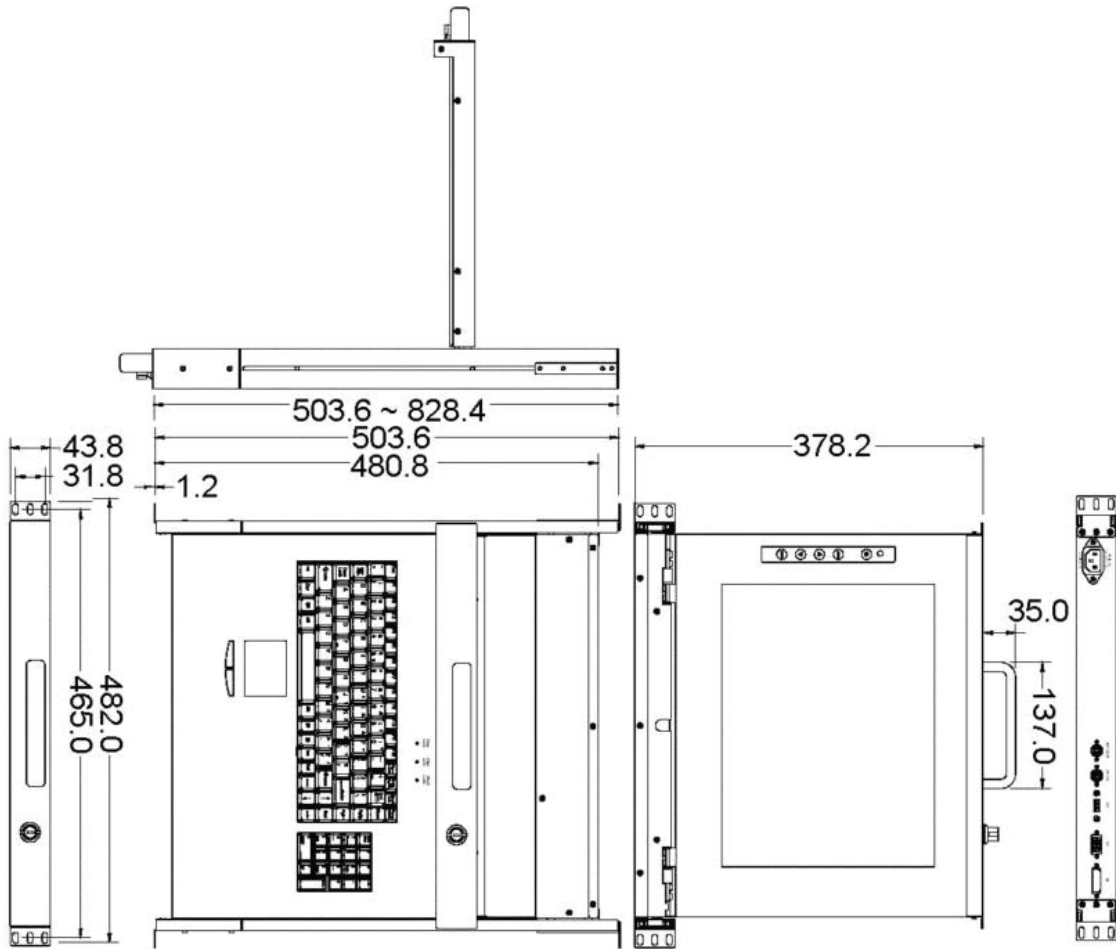
Introduction

The KwikDraw-B monitor and keyboard includes a cost effective 19" 1U KVM unit monitor and controls up to 16 computers (expandable to 128 computers), assisting in efficient management of valuable space. The series provides options of 15", 17" or 19" LCD monitors. On Screen Display provides you with control over frequency, resolution, backlight luminance and brightness of the video display. Password function enables limited access to all the computers for extra security. The additional features of this console includes the easy reachable rail-lock switch to avoid user's fingers from being clipped when pushing back the console and also new rail design that enables a single person to mount the console into the rack easily.

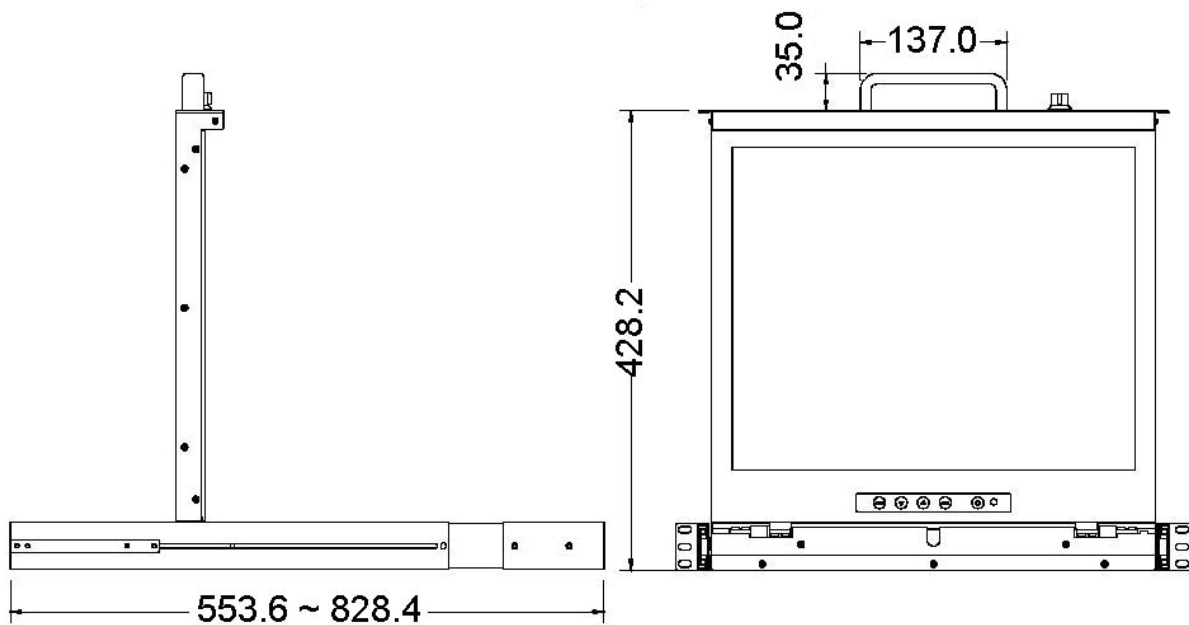
Features

- 19" 1U rackmountable LCD/Keyboard drawer with 15, 17 or 19" LCD, keyboard and touchpad
- 1 port, 8 port or 16 port KVM versions
- On Screen Display to control frequency, resolution, backlight luminance and brightness of the video display
- Rail-Lock Switch for maximum safety
- New rail design to enable single person to install the console into the rack.

Technical Drawings



KwikDraw-B 151 / 171 models



KwikDraw-B 191 model

Datasheet

Construction

Heavy Duty Steel

Color

Black.

Panel

15, 17 and 19" LCD with 200 night brightness

KVM Switch

DB15 type female connectors for connection (VGA, PS/2 keyboard and PS/2 mouse male connectors at the platform side) Port selection through hot keys, or On Screen Display. Cascading up to 128-systems. Password function for extra security. 1 port, 8 port and 16 port versions available.

Keyboard and Mouse

106 keys industrial keyboard and touchpad

On Screen Control

Auto adjustment, brightness, contrast, phase, H-V position, frequency, size, and display mode. Automatic and Manual Scan mode

Security Lock

Front access lock for system security

Drawer Design

Full extension high load rating slide rail with rail-lock safety switch. Rail design enables single person do the installation

Dimensions

KwikDraw-B 151: 482mm(W) x 504mm(D) x 44mm(H)

KwikDraw-B 171: 482mm(W) x 504mm(D) x 44mm(H)

KwikDraw-B 191: 482mm(W) x 554mm(D) x 44mm(H)

KwikDraw-B 151-8/16: 482mm(W) x 615mm(D) x 44mm(H)

KwikDraw-B 171-8/16: 482mm(W) x 615mm(D) x 44mm(H)

KwikDraw-B 191-8/16: 482mm(W) x 675mm(D) x 44mm(H)

Operating Temperatures

0 ~ 50°C KwikDraw-B 151-16

Gross Weight

KwikDraw-B 151: 17kg / 37.4lbs

KwikDraw-B 171: 17kg / 37.4lbs

KwikDraw-B 191: 19kg / 41.9lbs

KwikDraw-B 151-8/16: 17kg / 37.4lbs

KwikDraw-B 171-8/16: 17kg / 37.4lbs

KwikDraw-B 191-8/16: 19kg / 41.9lbs

Ordering Information

KwikDraw-B 151	1U keyboard/LCD drawer with 15" monitor, industrial keyboard and touchpad
KwikDraw-B 171	1U keyboard/LCD drawer with 17" monitor, industrial keyboard and touchpad
KwikDraw-B 191	1U keyboard/LCD drawer with 19" monitor, industrial keyboard and touchpad
KwikDraw-B 151-8	1U 8-Port KVM switch, 15" LCD, industrial keyboard and touchpad
KwikDraw-B 171-8	1U 8-Port KVM switch, 17" LCD, industrial keyboard and touchpad
KwikDraw-B 191-8	1U 8-Port KVM switch, 19" LCD, industrial keyboard and touchpad.
KwikDraw-B 151-16	1U 16-Port KVM switch, 15" LCD, industrial keyboard and touchpad.
KwikDraw-B 171-16	1U 16-Port KVM switch, 17" LCD, industrial keyboard and touchpad.
KwikDraw-B 191-16	1U 16-Port KVM switch, 19" LCD, industrial keyboard and touchpad